

Installation Instruction

Reminder

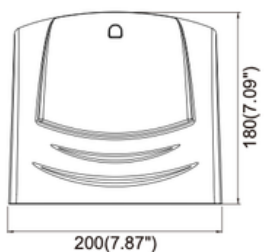
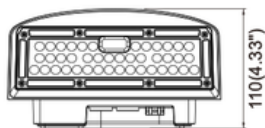
We appreciate your purchase!

Please read the entire instruction manual before installation and keep it for future reference.

1. Please do not modify or dismantle the luminaire or replace accessories without confirming with the supplier first.
2. Please authorize only qualified personnel to install the lamp and ensure they follow the instruction manual. Any improper installation might cause falling, electric shock, fire, or other injury, damage or hazard.
3. Please disconnect power before installation or any maintenance of the lamp. Do not touch the power supply when the lamp is operating.
4. If the luminaire begins to smoke or emit odors, please disconnect power since fire or electric shock may occur. And ask qualified person to inspect and maintain the luminaire.
5. If the external flexible cable or cord of this luminaire is damaged, it shall be exclusively replaced by the manufacturer or his service agent or a similar qualified person in order to avoid a hazard.
6. The light source contained in this luminaire shall only be replaced by the manufacturer or his service agent or a similar qualified person.
7. We suggest you adding a separate surge protection device in distribution box to extend luminaire lifespan.

Physical Dimensions(Unit: mm/inch)

20W



Packing List

	cable gland	1PC
	TA5x40 screw	2PCS
	Type O silicone ring	2PCS
	Expansion tube	2PCS
	Positioning sticker	1PC
	rubber plug	1PC

Product Specifications	20W
Input Voltage	100-277Vac / 120-277Vac / 120-240Vac / 100-240Vac / 220-240Vac (Subject to the input voltage on nameplate)
Power Frequency	50 / 60 Hz
Outlook Dimensions	200x180x110mm (7.87"x7.09"x4.33")
Net Weight(±6%)	1.4kg(3.09Lbs)
Working Temperature	-30°C to +45°C (-22°F to +113°F) @220-240Vac -30°C to +50°C (-22°F to +122°F) @100-240Vac
Storing Temperature	-40°C to +70°C (-40°F to +158°F)

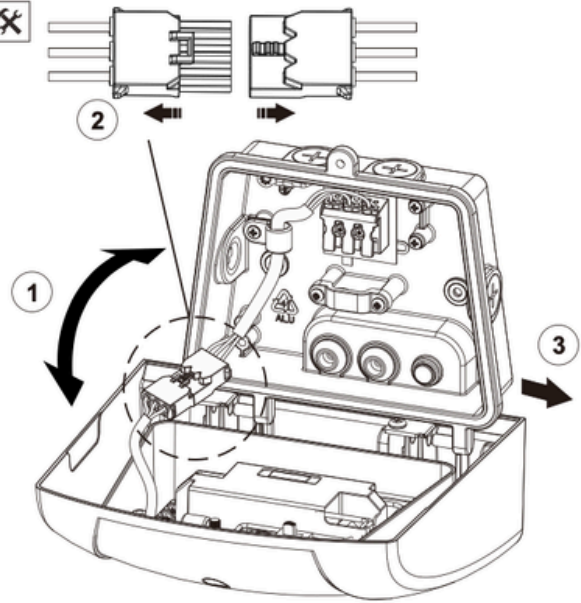
*Please subject to actual product for accurate weight.

Installation

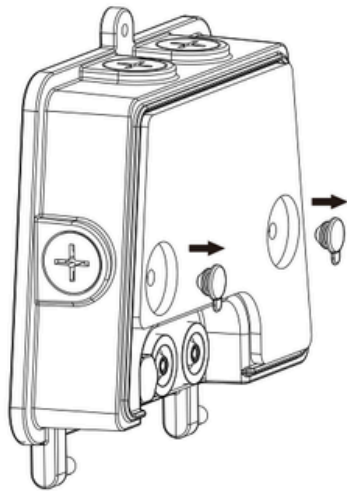
1. ✂



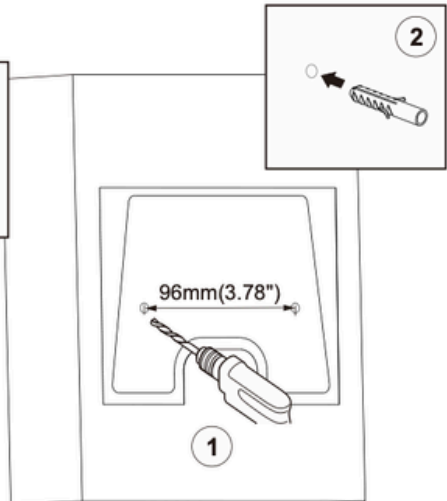
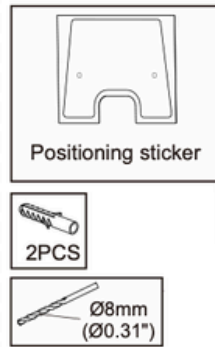
2. ✂



3. ✂

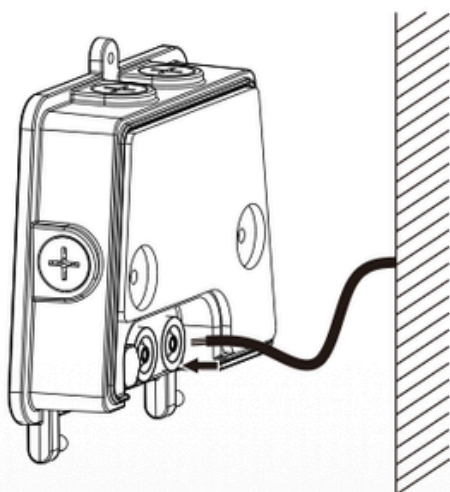


4. ✂

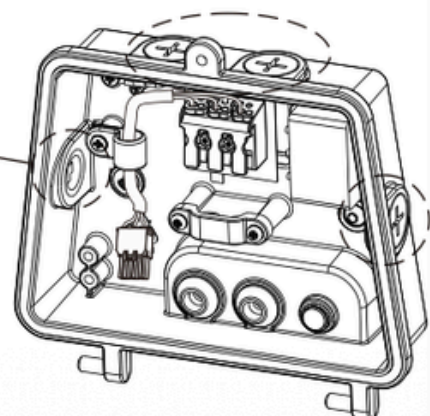
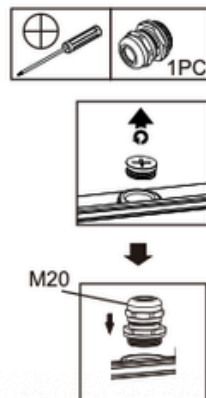


Stick the positioning sticker on the wall, drill holes, and then tear off the positioning sticker.

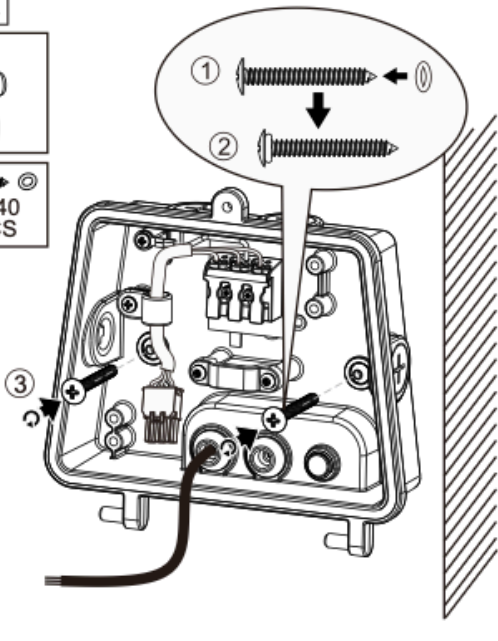
5. ✂



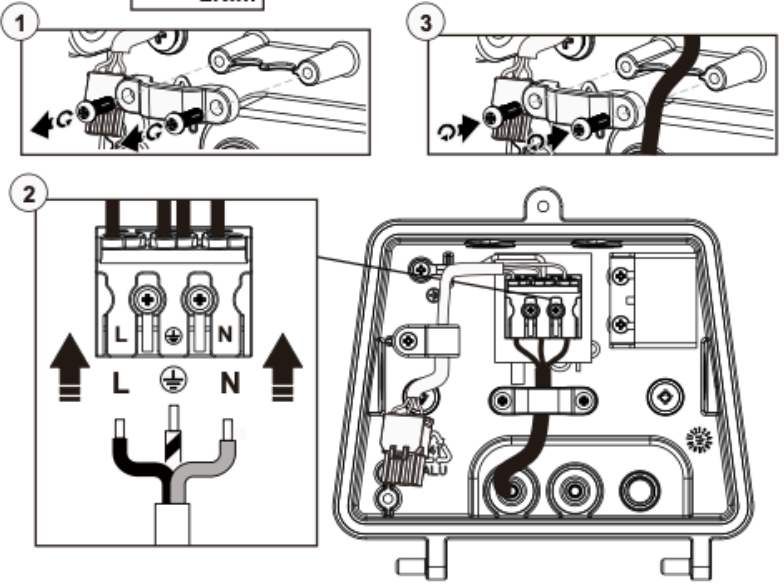
Remove the rubber plug from any of these four positions and install the cable gland to thread the wire.



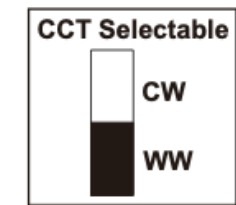
6. 



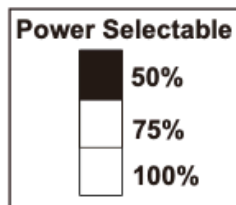
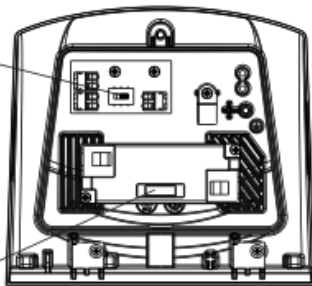
7. 



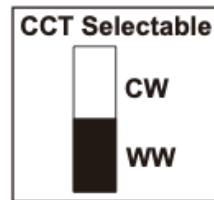
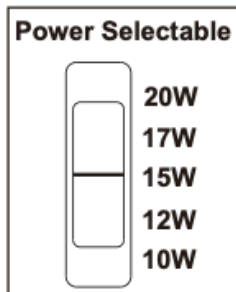
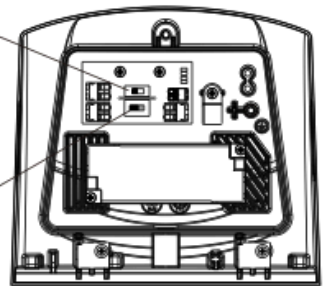
8. 



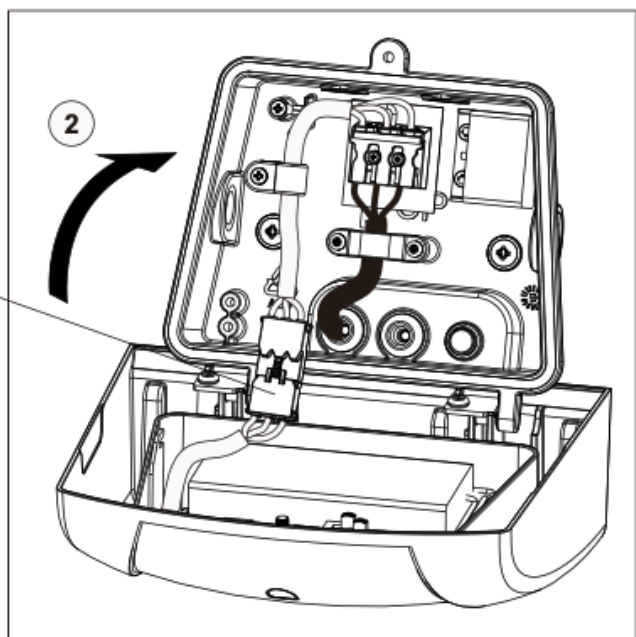
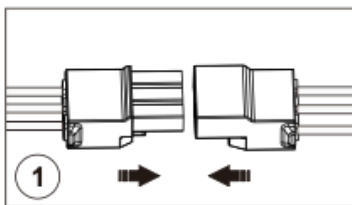
Module 1



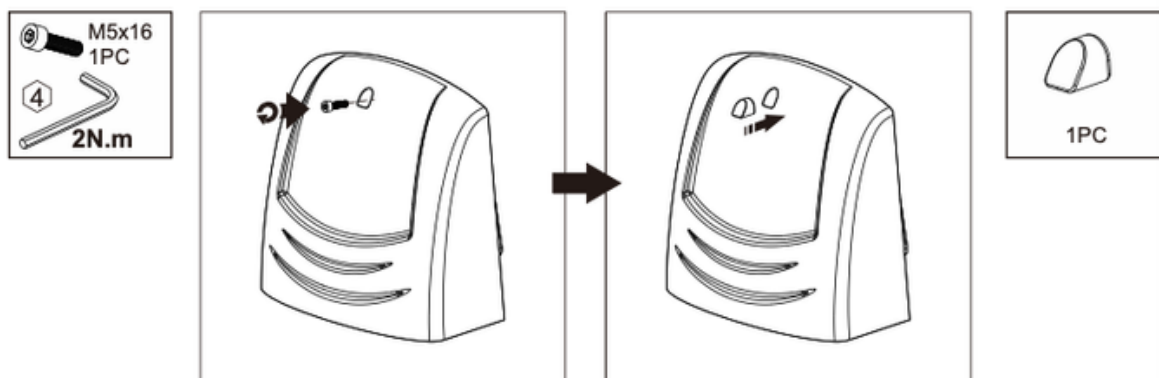
Module 2



9. 



10. ✖



AC cords

L	brown		black
N	blue		white
⊕	yellow/green		green

DIM cords

Note: color for dim cords subject to the cable label on luminaire



Warning! Do not wire dim cord to high voltage, or dim function will fail.



Precautions for Outdoor Lighting

Lightning is a common natural phenomenon. When the accumulation of electric charge in the thundercloud to a certain degree, air breakdown will occur to cause electrostatic discharge between the clouds, or between the cloud and the earth. Normally there are direct lightning and induction lightning, most LED luminaires damage caused by induction lightning, such as electrostatic induction or magnetic field induction.

Below pretreatment can reduce lightning hazard, and extend luminaire lifetime.

1. LED luminaire should be effectively grounded
2. Install surge protector in power distribution box



With effective grounding, the electric charge can be introduced to ground quickly



The SPD can absorb most surge energy before luminaire

Applications

1. The product is designed for exhibition halls, supermarkets, indoor stadiums and similar applications. For other special applications, please consult your salesperson to confirm firstly.
2. Too much dust or oil accumulation on PC lens will stop the lighting emit and heat dissipation, it will change lighting distribution, and cause high heat inside to affect LED chips performance. For such environments, we suggest you to clean the luminaire regularly to ensure longer lifespan. Or you need to use product with glass cover and better heat performance instead.
3. The suggested mounting height of the luminaire is 2.5-6m.
4. If you want add sensor on the luminaire, please mount samples in your project before mounting batch volume directly. Here are some tips to choose the right sensor: microwave sensor should keep away from large areas of metal and glass reflectors (separation distance atleast 1m) to avoid luminaire abnormal working. PIR sensor should keep away from high temperature environments to avoid luminaire no response, please contact your salesperson for detailed suggestion for certain project.

CONTACT THE HAZBRITE TEAM FOR MORE ENQUIRIES.

HAZBRITE

www.hazbrite.com
sales@hazbrite.com
+85238533890

Unit 2A, 17/F, Glenealy Tower,
No. 1 Glenealy, Central,
Hong Kong.



Disclaimer

The information provided is accurate to the best of Hazbrite's knowledge at the time of publication. However, customers and end-users should consult the latest product specifications, installation guides, terms, and warranties available at www.hazbrite.com, which shall take precedence in case of any discrepancies or conflicts.