



COPPER TUBULAR CABLE LUG

Tubular Cable Lugs As Per DIN
46235

Efficient lighting solutions and
accessories designed as per space
requirements



+852 3853 3890

www.hazbrite.com



ABOUT US

- Trusted provider of high-performance accessories engineered for the most demanding industrial environments.
- Supporting clients across industries like oil & gas, mining, manufacturing, and marine sectors. Committed to excellence, reliability, and adherence to the highest safety standards.

WHY CHOOSE HAZBRITE

⇒ SAFETY YOU CAN COUNT ON :

- Thoroughly tested by experts to meet stringent safety requirements.
- Compliant with industry-leading certifications and protocols.
- Built to deliver long-lasting performance in demanding condition.

⇒ FAST AND RELIABLE DELIVERY OF PRODUCTS :

- Majority of orders fulfilled on time delivery.
- Immediate availability of products for urgent needs.
- Real-time tracking for complete visibility and control.

⇒ EXPERTISE DRIVEN SERVICES :

- Dedicated support team with deep industry knowledge.
- Customized lighting solutions tailored to your project's need.
- Comprehensive after-sales support and maintenance.

⇒ ECO - CONSCIOUS SOLUTIONS ;

- High-efficiency lighting that cuts energy usage.
- Environmentally responsible design and packaging.
- Sustainable products that reduce waste and operational costs.

**SETTING THE STANDARD IN SAFETY-ORIENTED
ACCESSORIES FOR CRITICAL, HAZARDOUS & SAFE
OPERATIONS ALIKE.**

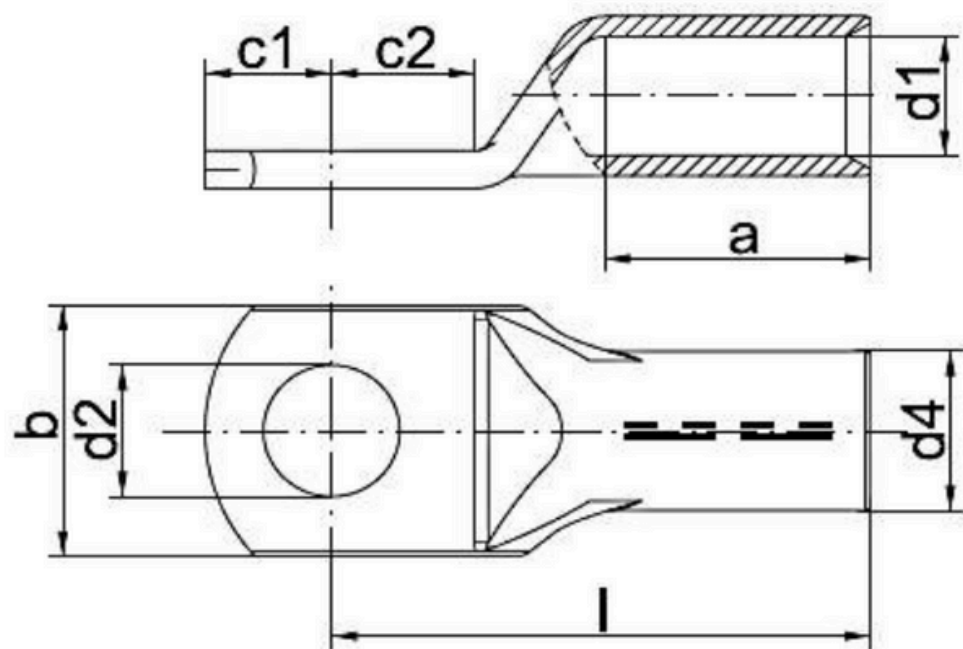
DESCRIPTION

Designed to comply with DIN-46235 requirements, the HBSR High Voltage Copper Tubular Terminal is crafted from ETP grade copper, featuring a purity of 99.96% and a minimum conductivity of 97.6% IACS.

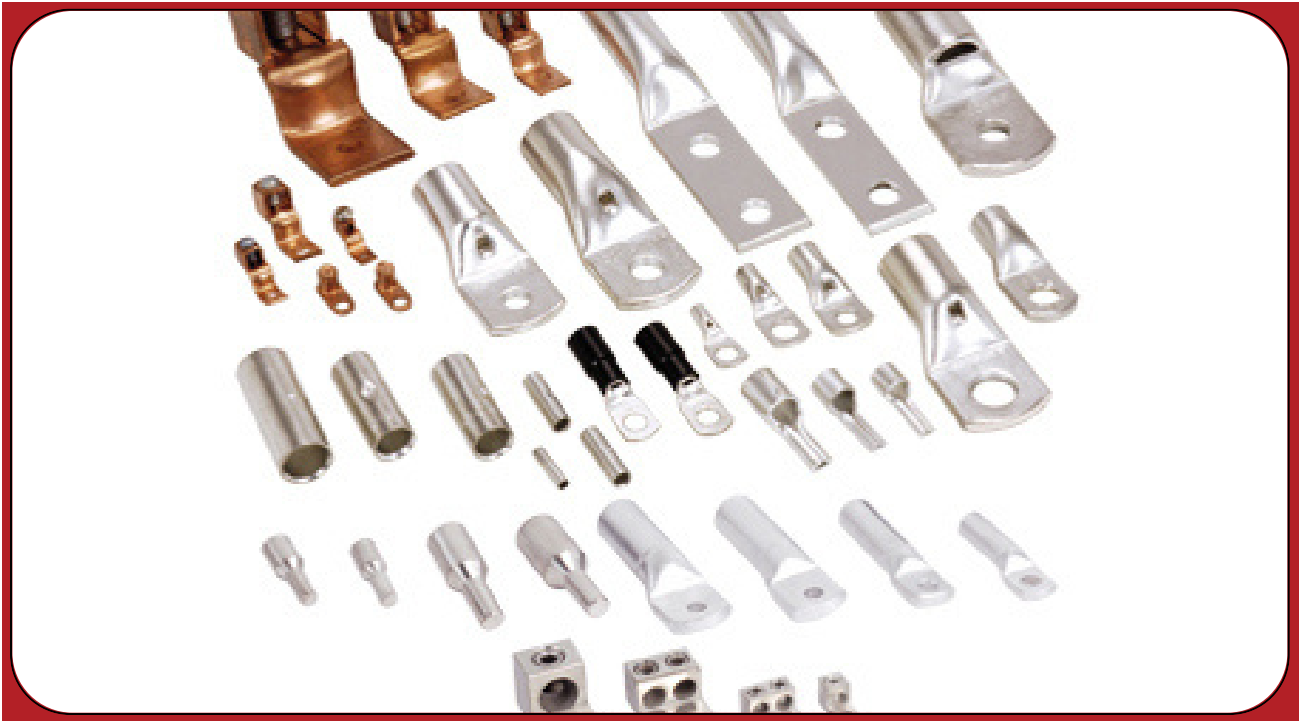
STANDARD MATERIALS

- The terminal is annealed to prevent cracking during crimping, and a chamfered mouth facilitates easy cable insertion.
- The absence of an inspection hole prevents the entry of water or moisture into crimped Joints making them suitable for outdoor applications.
- Item identification on cable lug
- The terminal is coated with tin to prevent oxidation and ensure optimal corrosion resistance.
- Marking on the barrel indicates, for instance, which crimping tools and crimping dies need to be used to achieve a DIN compliant crimp.
- Material - Copper DIN EN 13600-2002

DIMENSIONS



Note : Product Specifications and Design subject to change without notice



APPLICATIONS



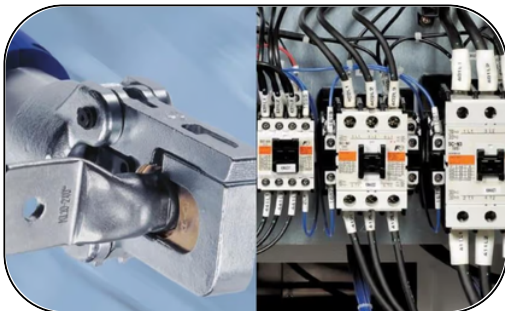
Power Distribution



Renewable Energy



Automotive & Marine



Industrial & Manufacturing



Railway & Transportation:

TECHNICAL DATA

Nominal Cross Section mm ²	PRODUCT NO.	Size of Bolt Die	d1	d4	b	a	c1	c2	l
6	HBSR-6-5	5.3	3.8	5.5	8.5	10	9	6	24
	HBSR-6-6	6.4	3.8	5.5	8.5	10	10.5	8	24
10	HBSR-10-5	5.3	4.5	6	9	10	9	6	27
	HBSR-10-6	6.4	4.5	6	9	10	10.5	8	27
16	HBSR-16-6	6.4	5.5	8.5	13	20	10.5	8	36
	HBSR-16-8	8.4	5.5	8.5	13	20	13	10	36
	HBSR-16-10	10.5	5.5	8.5	17	20	15	12	36
25	HBSR-25-6	6.4	7	10	14	20	10.5	8	38
	HBSR-25-8	8.4	7	10	16	20	13	10	38
	HBSR-25-10	10.5	7	10	17	20	15	12	38
	HBSR-25-13	13	7	10	19	20	16	13	38
35	HBSR-35-8	8.4	8.2	12.5	17	20	13	10	42
	HBSR-35-10	10.5	8.2	12.5	19	20	15	12	42
	HBSR-35-13	13	8.2	12.5	21	20	16	13	42
50	HBSR-50-8	8.4	10	14.5	20	28	13	10	52
	HBSR-50-10	10.5	10	14.5	22	28	15	12	52
	HBSR-50-13	13	10	14.5	24	28	16	13	52
	HBSR-50-17	17	10	14.5	28	28	19	16	52
70	HBSR-70-8	8.4	11.5	16.5	24	28	13	10	55
	HBSR-70-10	10.5	11.5	16.5	24	28	15	12	55

TECHNICAL DATA

Nominal Cross Section mm ²	PRODUCT NO.	Size of Bolt Die	d1	d4	b	a	c1	c2	l
	HBSR-70-13	13	11.5	16.5	24	28	16	13	55
	HBSR-70-17	17	11.5	16.5	30	28	19	16	55
95	HBSR-95-10	10.5	13.5	19	28	35	15	12	65
	HBSR-95-13	13	13.5	19	28	35	16	13	65
	HBSR-95-17	17	13.5	19	32	35	19	16	65
120	HBSR-120-10	10.5	15.5	21	32	35	15	12	70
	HBSR-120-13	13	15.5	21	32	35	16	13	70
	HBSR-120-17	17	15.5	21	32	35	19	16	70
	HBSR-120-21	21	15.5	21	38	35	22	20	70
150	HBSR-150-10	10.5	17	23.5	34	35	15	12	78
	HBSR-150-13	13	17	23.5	34	35	16	13	78
	HBSR-150-17	17	17	23.5	34	35	19	16	78
	HBSR-150-21	21	17	23.5	40	35	22	20	78
185	HBSR-185-10	10.5	19	25.5	40	40	15	12	82
	HBSR-185-13	13	19	25.5	40	40	16	13	82
	HBSR-185-17	17	19	25.5	40	40	19	16	82
	HBSR-185-21	21	19	25.5	40	40	22	20	82
240	HBSR-240-13	13	21.5	29	42	40	16	13	92
	HBSR-240-17	17	21.5	29	42	40	19	16	92
	HBSR-240-21	21	21.5	29	45	40	22	20	92

TECHNICAL DATA

Nominal Cross Section mm ²	PRODUCT NO.	Size of Bolt Die	d1	d4	b	a	c1	c2	l
300	HBSR-300-17	17	24.5	32	48	50	19	16	10
	HBSR-300-21	21	24.5	32	48	50	22	20	100
400	HBSR-400-17	17	27.5	38.5	55	70	25	16	115
	HBSR-400-21	21	27.5	38.5	55	70	25	20	115
500	HBSR-500-21	21	31	42	60	70	25	20	125
625	HBSR-625-21	21	34.5	44	60	80	25	20	135
800	HBSR-800-21	21	40	52	75	100	25	20	165
1000	HBSR-1000-21	21	44	58	85	100	25	20	165

CONTACT THE HAZBRITE TEAM FOR MORE ENQUIRIES.

HAZBRITE

www.hazbrite.com
sales@hazbrite.com
+85238533890

Unit 2A, 17/F, Glenealy Tower,
No. 1 Glenealy, Central,
Hong Kong.



Disclaimer

The information provided is accurate to the best of Hazbrite's knowledge at the time of publication. However, customers and end-users should consult the latest product specifications, installation guides, terms, and warranties available at www.hazbrite.com, which shall take precedence in case of any discrepancies or conflicts.